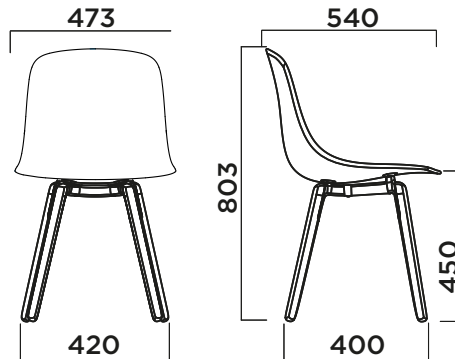


PURE LOOP MONO wooden legs

5034-WLGP

Design Claus Breinholt



WOODEN LEGS

GAMBE LEGNO
PATAS DE MADERA

Solid natural beech legs

Solid natural beech legs

Solid natural beech legs



FGVAN



FGTA04



FGLP04G



FGLP06G

SHELL

SCOCCA
CARCASA

Post consumer industrial Polypropylene + Glass Fiber

Post consumer industrial Polypropylene + Glass Fiber

Post consumer industrial Polypropylene + Glass Fiber



IR8022



IR6013



IP7608U



IS503

Polypropylene + Glass Fiber

Polypropylene + Glass Fiber

Polypropylene + Glass Fiber



S020



S514



P421C

BASE

BASE
BASE

Solid natural beech legs

Solid natural beech legs.

Patras de haya maciza natural

PKG

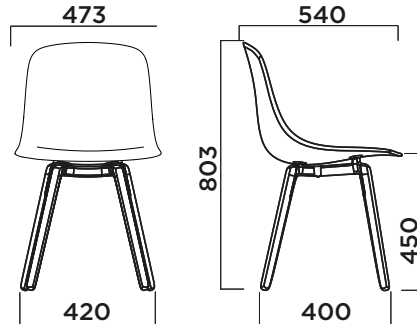
IMBALLO
EMBALAJE

Pkg	A(cm)	B(cm)	h(cm)	MC	PCS	Weight (kg)
	46.5	57	81.5	0.22	1	10

PURE LOOP MONO wooden legs upholstered seat panel

5034-WLGS

Design Claus Breinholt



WOODEN LEGS

GAMBE LEGNO
PATAS DE MADERA

Solid natural beech legs
Solid natural beech legs
Solid natural beech legs



FGVAN



FGTA04



FGLP04G



FGLP06G

SHELL

SCOCCA
CARCASA

Post consumer industrial Polypropylene + Glass Fiber
Post consumer industrial Polypropylene + Glass Fiber
Post consumer industrial Polypropylene + Glass Fiber



IR8022



IR6013



IP7608U



IS503

Polypropylene + Glass Fiber
Polypropylene + Glass Fiber
Polypropylene + Glass Fiber



S020



S514



P421C

UPHOLSTERY

TAPPEZZERIA
TAPIZADOS

Upholstered seat panel in PP with cutted foam thickness 1 cm and density 50 kg/m³
Upholstered seat panel in PP with cutted foam thickness 1 cm and density 50 kg/m³
Upholstered seat panel in PP with cutted foam thickness 1 cm and density 50 kg/m³

- A** Space, Panarea
- B** Eco Leather
- C** Convert D, Velvety, Step, Step Melange, Nuvole
- D** Reflect
- E** Field, Oceanic , Yoredale
- F** Steelcut Quartet, Canvas2
- G** Divina3, Divina Melange, Fiord
- H** Full Leather

COM Fabric(m) **COM Leather(m2)**

0.65

0.75

BASE

BASE
BASE

Solid natural beech legs
Solid natural beech legs.
Patras de haya maciza natural

PKG

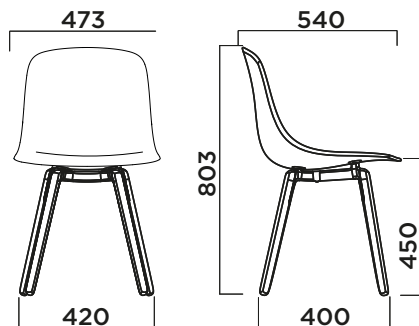
IMBALLO
EMBALAJE

Pkg	A(cm)	B(cm)	h(cm)	MC	PCS	Weight (kg)
	46.5	57	81.5	0.22	1	10.5

PURE LOOP MONO wooden legs fully upholstered

5034-WLGT

Design Claus Breinholt



WOODEN LEGS

GAMBE LEGNO
PATAS DE MADERA

Solid natural beech legs

Solid natural beech legs

Solid natural beech legs



FGVAN



FGTA04



FGLP04G



FGLP06G

UPHOLSTERY

TAPPEZZERIA
TAPIZADOS

Full upholstered shell

Full upholstered shell

Full upholstered shell

- A** Space, Panarea
- B** Eco Leather
- C** Convert D, Velvety, Step, Step Melange, Nuvoles
- D** Reflect ♻️
- E** Field, Oceanic ♻️, Yoredale
- F** Steelcut Quartet, Canvas2
- G** Divina3, Divina Melange, Fiord
- H** Full Leather

COM Fabric(m) **COM Leather(m2)**

0,90 **1,50**

BASE

BASE
BASE

Solid natural beech legs

Solid natural beech legs.

Patatas de haya maciza natural

PKG

IMBALLO
EMBALAJE

Pkg	A(cm)	B(cm)	h(cm)	MC	PCS	Weight (kg)
	46.5	57	81.5	0.22	1	10