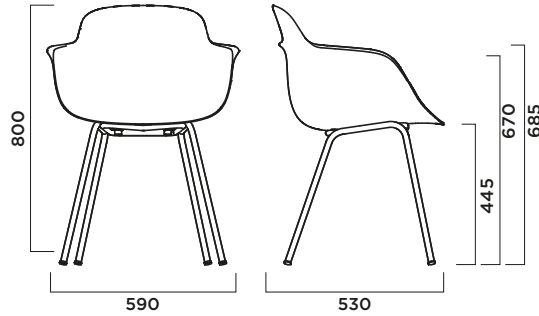


SICLA 4 legs

5040-4LGP

Design Claus Breinholt



FRAME

TELAIO
BASTIDOR

Sides in round tube diameter 18 mm, thickness 2 mm, accordingly with UNI EN 10305-3 rule in Asform. Seat support in round tube diameter 16 mm, thickness 2 mm, accordingly with UNI EN 10305-3 rule in Asform.
 Fianchi in tubo tondo diametro 18 mm, spessore 2 mm, secondo norma UNI EN 10305-3 in Asform. Supporto seduta in tubo tondo diametro 16 mm, spessore 2 mm, secondo norma UNI EN 10305-3 in Asform.
 Laterales de tubo redondo de 18 mm de diámetro y 2 mm de espesor, conforme a la norma UNI EN 10305-3 en Asform. Soporte de asiento de tubo redondo de 16 mm de diámetro y 2 mm de espesor, conforme a la norma UNI EN 10305-3 en Asform.



SHELL

SCocca
CARCASA

Polypropylene + Glass fiber
 Polypropylene + Glass fiber
 Polypropylene + Glass fiber



FINISHING

FINITURA
ACABADO

Chrome plating with medium thickness 5 μ. Painted frame with epoxy-polyester powder with average thickness of 50 μ.
 Telaio cromato con spessore medio 5 μ. Telaio verniciato con polveri epossipoliesteri spessore medio 50 μ.
 Cromado con 5 μ de espesor medio. Bastidor con recubrimiento en polvo epoxi-poliéster con 50 μ de espesor medio.

FEET

PIEDINI
PIES DE APOYO

Polypropylene
 Polipropilene
 Polipropileno

PKG

IMBALLO
EMBALAJE

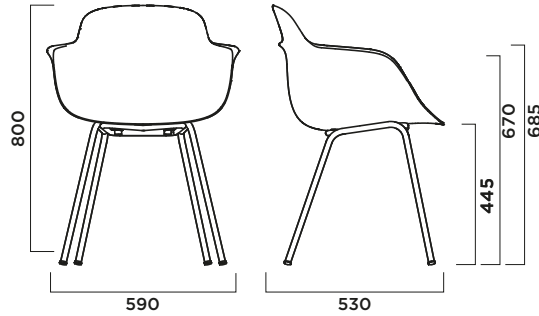
Pkg	A(cm)	B(cm)	h(cm)	MC	PCS	Weight (kg)
59	63	85.5	0.32	1	11.3	

Reproduction of this document is strictly prohibited without prior written authorisation from Omp srl. Sizes, weights and finishes may change without previous notice.
 È vietata la riproduzione del seguente documento senza previa autorizzazione scritta da parte di Omp srl. Dimensioni, pesi e finiture possono variare senza alcun preavviso.
 La reproducción de este documento está estrictamente prohibida sin la autorización previa de Omp srl. Los tamaños, pesos y acabados pueden cambiar sin previo aviso.

SICLA 4 legs upholstered seat panel

5040-4LGS

Design Claus Breinholt



FRAME

TELAIO
BASTIDOR

Metal frame in drawn rod diameter 11 mm – Fe360.

Telaio in tondino Diametro 11 mm - Fe360.

Bastidor metálico de varilla de 11 mm de diámetro - Fe360



SHELL

SCOCCA
CARCASA

Polypropylene + Glass fiber

Polypropylene + Glass fiber

Polypropylene + Glass fiber



UPHOLSTERY

TAPPEZZERIA
TAPIZADOS

Wood seat panel in plywood beech, 5,5 mm thickness, upholstered.

Wood seat panel in plywood beech, 5,5 mm thickness, upholstered.

Wood seat panel in plywood beech, 5,5 mm thickness, upholstered.

- A Space, Panarea
- B Eco Leather
- C Convert D, Velvety, Step, Step Melange, Nuvole
- D Reflect
- E Field, Oceanic , Yoredale
- F Steelcut Quartet, Canvas2
- G Divina3, Divina Melange, Fiord
- H Full Leather

COM Fabric(m) COM Leather(m2)

0,65

0,50

FINISHING

FINITURA
ACABADO

Chrome plating with medium thickness 5 μ . Painted frame with epoxy-polyester powder with average thickness of 50 μ .

Telaio cromato con spessore medio 5 μ . Telaio verniciato con polveri epossi-poliestere spessore medio 50 μ .

Cromado con 5 μ de espesor medio. Bastidor con recubrimiento en polvo epoxi-poliéster con 50 μ de espesor medio.

FEET

PIEDINI
PIES DE APOYO

Polypropylene

Polipropilene

Polipropileno

PKG

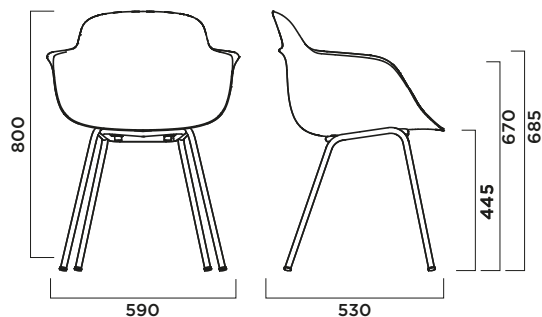
IMBALLO
EMBALAJE

Pkg	A(cm)	B(cm)	h(cm)	MC	PCS	Weight (kg)
59	63	85.5	0.32	1	11.3	

SICLA 4 legs full upholstered panel

5040-4LGT

Design Claus Breinholt



FRAME

TELAIO
BASTIDOR

Metal frame in drawn rod diameter 11 mm – Fe360.

Telaio in tondino Diametro 11 mm - Fe360.

Bastidor metálico de varilla de 11 mm de diámetro - Fe360



SHELL

SCOCCA
CARCASA

Polypropylene + Glass fiber

Polypropylene + Glass fiber

Polypropylene + Glass fiber



UPHOLSTERY

TAPPEZZERIA
TAPIZADOS

Polypropylene full upholstered shell.

Polypropylene full upholstered shell.

Polypropylene full upholstered shell.

- A Space, Panarea
- B Eco Leather
- C Convert D, Velvety, Step, Step Melange, Nuvole
- D Reflect
- E Field, Oceanic , Yoredale
- F Steelcut Quartet, Canvas2
- G Divina3, Divina Melange, Fiord
- H Full Leather

COM Fabric(m) COM Leather(m2)

1.00

1.20

FINISHING

FINITURA
ACABADO

Chrome plating with medium thickness 5 μ . Painted frame with epoxy-polyester powder with average thickness of 50 μ .

Telaio cromato con spessore medio 5 μ . Telaio verniciato con polveri epossi-poliestere spessore medio 50 μ .

Cromado con 5 μ de espesor medio. Bastidor con recubrimiento en polvo epoxi-poliéster con 50 μ de espesor medio.

FEET

PIEDINI
PIES DE APOYO

Polypropylene

Polipropilene

Polipropileno

PKG

IMBALLO
EMBALAJE

Pkg	A(cm)	B(cm)	h(cm)	MC	PCS	Weight (kg)
59	63	85.5	0.32	1	11.3	