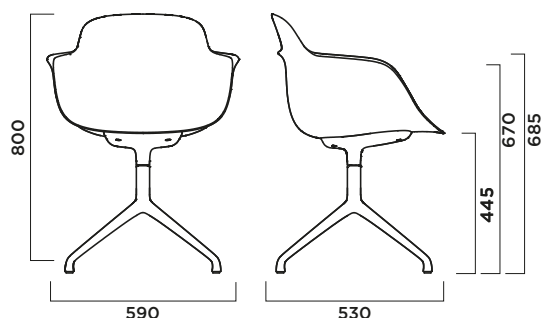


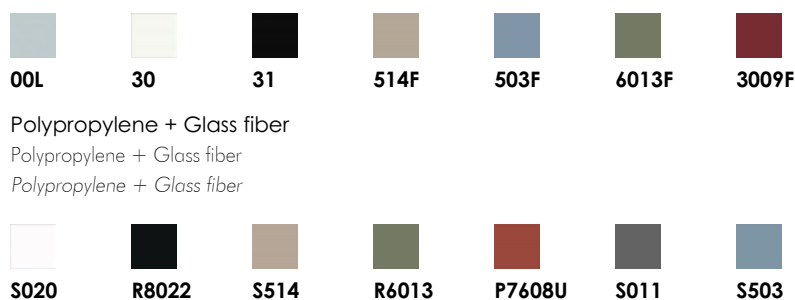
SICLA 4 star aluminium base

5040-4STP

Design Claus Breinholt



<p>BASE BASE BASE</p>	<p>Polished aluminium 4 star base. Support polished die casting aluminium Base 4 razze in alluminio lucido. Supporto in alluminio pressofuso lucido. Base de aluminio pulido de 4 radios Soporte de aluminio fundido a presión pulido</p>
<p>SHELL SCOCCA CARCASA</p>	<p>Polypropylene + Glass fiber Polypropylene + Glass fiber Polypropylene + Glass fiber</p>
<p>FINISHING FINITURA ACABADO</p>	<p>Base and support painted with epoxy-polyester powder with average thickness of 50 µ. Base e supporto verniciati a polvere epossi-poliestere con spessore medio di 50 µ. Base y soporte con recubrimiento en polvo epoxi-poliéster con 50 µ de espesor medio.</p>
<p>FEET PIEDINI PIES DE APOYO</p>	<p>Polypropylene. Polipropilene Polipropileno</p>



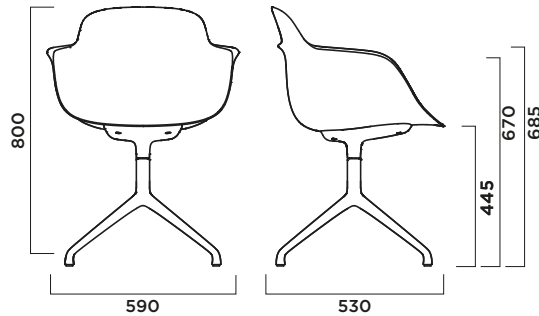
Pkg	A(cm)	B(cm)	h(cm)	MC	PCS	Weight (kg)
	59	63	85.5	0.32	1	12.2

Reproduction of this document is strictly prohibited without prior written authorisation from Omp srl. Sizes, weights and finishes may change without previous notice.
 È vietata la riproduzione del seguente documento senza previa autorizzazione scritta da parte di Omp srl. Dimensioni, pesi e finiture possono variare senza alcun preavviso.
 La reproducción de este documento está estrictamente prohibida sin la autorización previa de Omp srl. Los tamaños, pesos y acabados pueden cambiar sin previo aviso.

SICLA aluminium base upholstered seat panel

5040-4STS

Design Claus Breinholt



BASE

BASE

BASE

Polished aluminium 4 star base. Support polished die casting aluminium

Base 4 razze in alluminio lucido. Supporto in alluminio pressofuso lucido.

Base de aluminio pulido de 4 radios Soporte de aluminio fundido a presión pulido



00L



30



31



514F



503F



6013F



3009F

SHELL

SCOCCA

CARCASA

Polypropylene + Glass fiber

Polypropylene + Glass fiber

Polypropylene + Glass fiber



S020



R8022



S514



R6013



P7608U



S011



S503

UPHOLSTERY

TAPPEZZERIA

TAPIZADOS

Wood seat panel in plywood beech, 5,5 mm thickness, upholstered.

Wood seat panel in plywood beech, 5,5 mm thickness, upholstered.

Wood seat panel in plywood beech, 5,5 mm thickness, upholstered.

- A Space, Panarea
- B Eco Leather
- C Convert D, Velvety, Step, Step Melange, Nuvole
- D Reflect
- E Field, Oceanic , Yoredale
- F Steelcut Quartet, Canvas2
- G Divina3, Divina Melange, Fiord
- H Full Leather

COM Fabric(m) COM Leather(m2)

0,65

0,50

FINISHING

FINITURA

ACABADO

Base and support painted with epoxy-polyester powder with average thickness of 50 µ.

Base e supporto verniciati a polvere epossi-poliestere con spessore medio di 50 µ.

Base y soporte con recubrimiento en polvo epoxi-poliéster con 50 µ de espesor medio.

FEET

PIEDINI

PIES DE APOYO

Polypropylene

Polipropilene

Polipropileno

PKG

IMBALLO

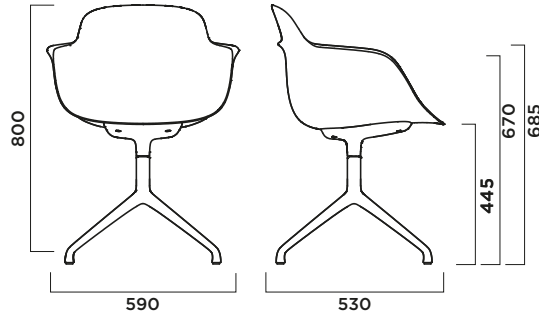
EMBALAJE

Pkg	A(cm)	B(cm)	h(cm)	MC	PCS	Weight (kg)
59	63	85.5	0.32	1	12.2	

SICLA aluminium base full upholstered panel

5040-4STT

Design Claus Breinholt



BASE

BASE

BASE

Polished aluminium 4 star base. Support polished die casting aluminium

Base 4 razze in alluminio lucido. Supporto in alluminio pressofuso lucido.

Base de aluminio pulido de 4 radios Soporte de aluminio fundido a presión pulido



00L



30



31



514F



503F



6013F



3009F

SHELL

SCOCCA

CARCASA

Polypropylene + Glass fiber

Polypropylene + Glass fiber

Polypropylene + Glass fiber



S020



R8022



S514



R6013



P7608U



S011



S503

UPHOLSTERY

TAPPEZZERIA

TAPIZADOS

Wood seat panel in plywood beech, 5,5 mm thickness, upholstered.

Wood seat panel in plywood beech, 5,5 mm thickness, upholstered.

Wood seat panel in plywood beech, 5,5 mm thickness, upholstered.

- A Space, Panarea
- B Eco Leather
- C Convert D, Velvety, Step, Step Melange, Nuvole
- D Reflect
- E Field, Oceanic , Yoredale
- F Steelcut Quartet, Canvas2
- G Divina3, Divina Melange, Fiord
- H Full Leather

COM Fabric(m) COM Leather(m2)

1.00

1.20

FINISHING

FINITURA

ACABADO

Base and support painted with epoxy-polyester powder with average thickness of 50 µ.

Base e supporto verniciati a polvere epossi-poliestere con spessore medio di 50 µ.

Base y soporte con recubrimiento en polvo epoxi-poliéster con 50 µ de espesor medio.

FEET

PIEDINI

PIES DE APOYO

Polypropylene.

Polipropilene

Polipropileno

PKG

IMBALLO

EMBALAJE

Pkg	A(cm)	B(cm)	h(cm)	MC	PCS	Weight (kg)
59	63	85.5	0.32	1	12.2	