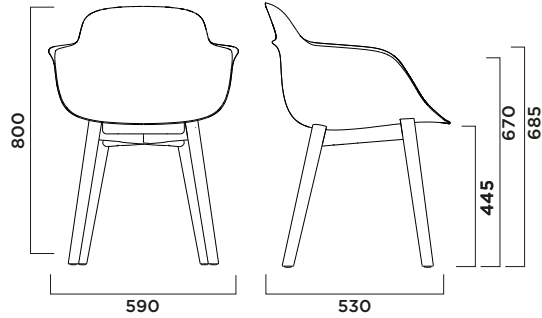


## SICLA wooden legs

5040-WLGP

Design Claus Breinholt



### WOODEN LEGS

GAMBE LEGNO

WOODEN LEGS

Solid natural ash

Frassino naturale massello

Fresno natural macizo



**FRVAN**



**FRTA04**

### SHELL

SCOCCA

CARCASA

Polypropylene + Glass fiber.

Polypropylene + Glass fiber.

Polypropylene + Glass fiber.



**S020**



**R8022**



**S514**



**R6013**



**P7608U**



**S011**



**S503**

### FEET

PIEDINI

PIES DE APOYO

Polypropylene

Polipropilene

Polipropileno

### PKG

IMBALLO

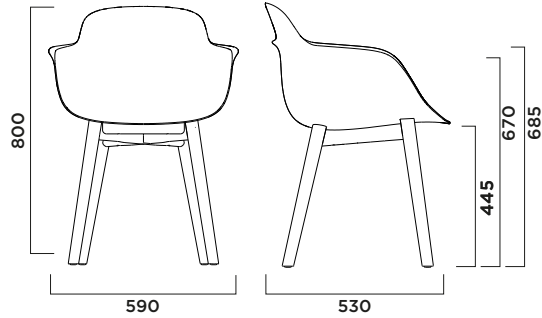
EMBALAJE

| Pkg | A(cm) | B(cm) | h(cm) | MC   | PCS | Weight (kg) |
|-----|-------|-------|-------|------|-----|-------------|
|     | 59    | 63    | 85.5  | 0.32 | 1   | 10.2        |

## SICLA wooden legs upholstered seat panel

5040-WLGS

Design Claus Breinholt



### WOODEN LEGS

GAMBE LEGNO

WOODEN LEGS

Solid natural ash

Frassino naturale massello

Fresno natural macizo



**FRVAN**



**FRTA04**

### SHELL

SCOCCA

CARCASA

Polypropylene + Glass fiber.

Polypropylene + Glass fiber.

Polypropylene + Glass fiber.



**S020**



**R8022**



**S514**



**R6013**



**P7608U**



**S011**



**S503**

### UPHOLSTERY

TAPPEZZERIA

TAPIZADOS

Wood seat panel in plywood beech, 5,5 mm thickness, upholstered.

Wood seat panel in plywood beech, 5,5 mm thickness, upholstered.

Wood seat panel in plywood beech, 5,5 mm thickness, upholstered.

- A** Space, Panarea
- B** Eco Leather
- C** Convert D, Velvety, Step, Step Melange, Nuvole
- D** Reflect 
- E** Field, Oceanic  Yoredale
- F** Steelcut Quartet, Canvas2
- G** Divina3, Divina Melange, Fiord
- H** Full Leather

**COM Fabric(m)**    **COM Leather(m2)**

0,65

0,50

### FEET

PIEDINI

PIES DE APOYO

Polypropylene

Polipropilene

Polipropileno

### PKG

IMBALLO

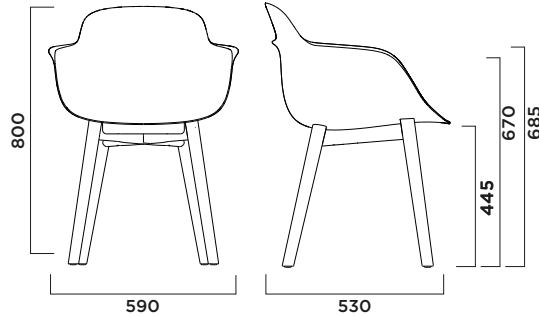
EMBALAJE

| Pkg | A(cm) | B(cm) | h(cm) | MC   | PCS | Weight (kg) |
|-----|-------|-------|-------|------|-----|-------------|
|     | 59    | 63    | 85.5  | 0.32 | 1   | 10.2        |

## SICLA wooden legs full upholstered panel

5040-WLGT

Design Claus Breinholt



### WOODEN LEGS

GAMBE LEGNO

WOODEN LEGS

Solid natural ash

Frassino naturale massello

Fresno natural macizo



**FRVAN**



**FRTA04**



**S020**



**R8022**



**S514**



**R6013**



**P7608U**



**S011**



**S503**

### SHELL

SCOCCA

CARCASA

### UPHOLSTERY

TAPPEZZERIA

TAPIZADOS

- A** Space, Panarea
- B** Eco Leather
- C** Convert D, Velvety, Step, Step Melange, Nuvole
- D** Reflect
- E** Field, Oceanic , Yoredale
- F** Steelcut Quartet, Canvas2
- G** Divina3, Divina Melange, Fiord
- H** Full Leather

**COM Fabric(m)**   **COM Leather(m2)**

**1.00**

**1.20**

### FEET

PIEDINI

PIES DE APOYO

Polypropylene

Polipropilene

Polipropileno

### PKG

IMBALLO

EMBALAJE

| Pkg | A(cm) | B(cm) | h(cm) | MC | PCS  | Weight (kg) |
|-----|-------|-------|-------|----|------|-------------|
| 59  | 63    | 85.5  | 0.32  | 1  | 10.2 |             |